



■ **Sürtünme Plakası / Sliding Pad**



● **Not / Note**

Tüm köşeleri yuvarlaklaştır
Break all sharp edges



Toleranslar tüm ölçüler
EN 22768-1 standartlarında
All dimensions without tolerance
as per EN 22768-1



Sipariş Kodu / Order Code

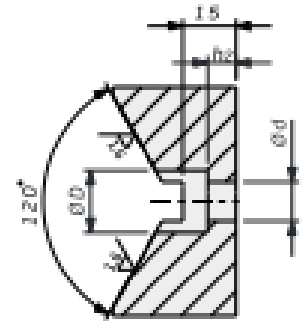
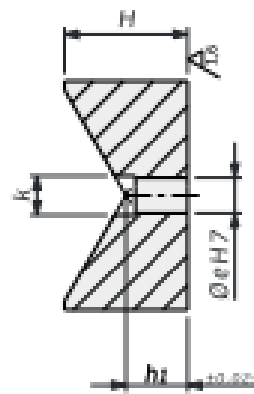
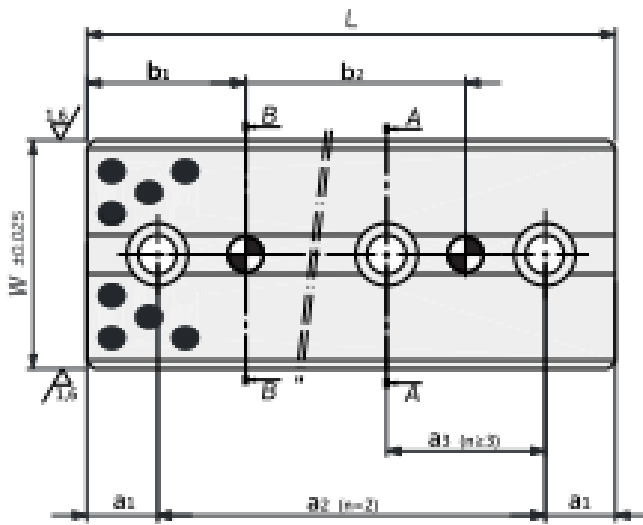
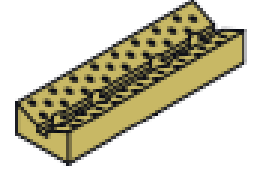
SPV11 - W - L

● **Malzeme / Material**

SAE430B + Graphite

● **Referans Kod / Reference Code**

RENAULT / MABEC
NISSAN / KB68*
CNOMO



Sipariş Kodu Order Code	W	L	H	n	a ₁	a ₂	a ₃	d	D	b ₁	b ₂	e H7	h ₁	h ₂	k
SPV11-35-75	35	75	24	2	15	45	-	9	14	30	15	8	15	4	11
SPV11-35-100	35	100	24	2	20	60	-	9	14	40	20	8	15	4	11
SPV11-35-125	35	125	24	2	20	85	-	9	14	40	45	8	15	4	11
SPV11-35-150	35	150	24	2	20	110	-	9	14	40	70	8	15	4	11
SPV11-50-75	50	75	31	2	15	45	-	11	18	30	15	10	18	8	13
SPV11-50-100	50	100	31	2	20	60	-	11	18	40	20	10	18	8	13
SPV11-50-125	50	125	31	2	25	75	-	11	18	50	25	10	18	8	13
SPV11-50-150	50	150	31	2	25	100	-	11	18	50	50	10	18	8	13
SPV11-65-100	65	100	35	2	20	60	-	11	18	40	20	10	18	8	10
SPV11-65-150	65	150	35	3	25	-	50	11	18	50	50	10	18	8	10
SPV11-65-200	65	200	35	4	25	-	50	11	18	50	100	10	18	8	10
SPV11-65-250	65	250	35	5	25	-	50	11	18	50	150	10	18	8	10
SPV11-65-300	65	300	35	6	25	-	50	11	18	50	200	10	18	8	10