



**Sürtünme Plakası / Sliding Pad**



**Not / Note**

Tüm köşelere pah kırılacaktır  
Break all sharp edges  
Toleransız tüm ölçüler  
EN 22768-1 standardında  
All dimensions without tolerance  
as per EN 22768-1



**Malzeme / Material**

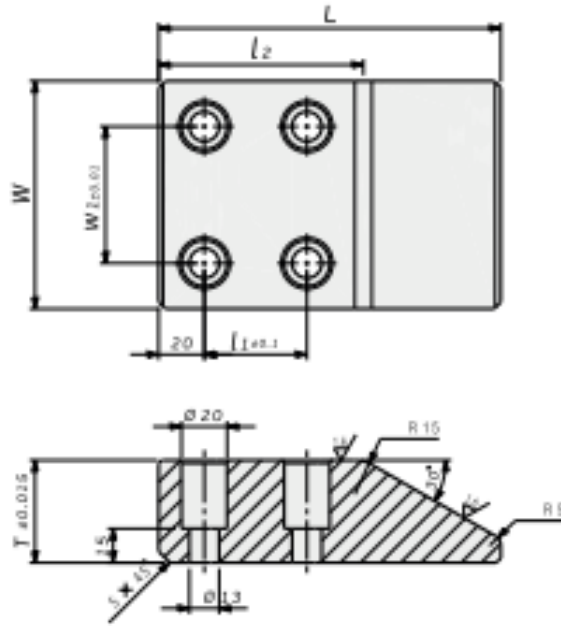
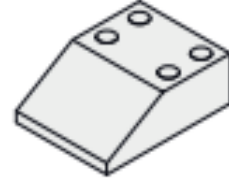
CK45 HRC / 58-60

**Referans Kod /  
Reference Code**

RENAULT / MABEC  
NISSAN / K861\*



Sipariş Kodu / Order Code  
**SPS49 - W - L**



Sipariş Kodu Order Code	W	L	T	W <sub>1</sub>	l <sub>1</sub>	l <sub>2</sub>
SPS49-75-130	75	130	30	40	50	95
SPS49-75-150	75	150	45	40	45	90
SPS49-100-130	100	130	30	60	50	95
SPS49-100-150	100	150	45	60	45	90
SPS49-100-170	100	170	60	60	45	90
SPS49-100-200	100	200	60	60	75	120
SPS49-125-130	125	130	30	80	50	95
SPS49-125-150	125	150	45	80	45	90
SPS49-125-170	125	170	60	80	45	90
SPS49-125-200	125	200	60	80	75	120
SPS49-150-130	150	130	30	110	50	95
SPS49-150-150	150	150	45	110	45	90
SPS49-150-170	150	170	60	110	45	90
SPS49-150-200	150	200	60	110	75	120