



■ **Sürtünme Plakası / Sliding Pad**



● **Not / Note**

Tüm köşelere pah kırılacaktır
Break all sharp edges
Toleranslar tüm ölçüler
EN 22768-1 standardında
All dimensions without tolerance
as per EN 22768-1



● **Malzeme / Material**

CK45 HRC / 58-60

● **Referans Kod /**

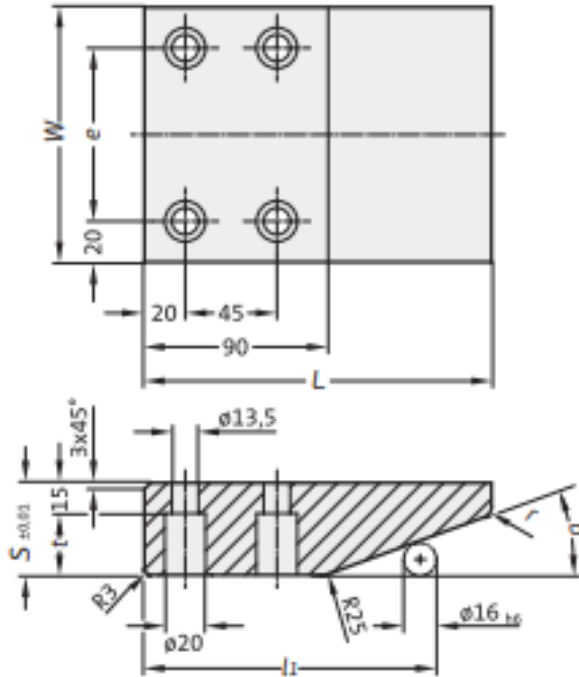
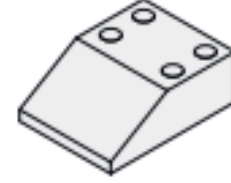
Reference Code

VDI 3357

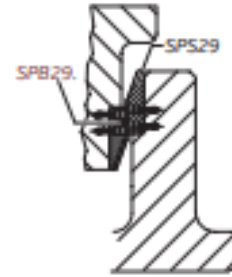


Sipariş Kodu / Order Code

SPS29 - W - L - S



Montaj Örneği
Mounting example



Sipariş Kodu / Order Code	W	L	S	e	t	b	l ₁
SPS29-100-170-45	100	170	45	60	30	20	143,37
SPS29-125-170-45	125	170	45	85	30	20	143,37
SPS29-150-170-45	150	170	45	110	30	20	143,37
SPS29-200-170-45	200	170	45	160	30	20	143,37
SPS29-100-150-45	100	150	45	60	30	30	127,86
SPS29-100-170-60	100	170	60	60	45	30	127,86
SPS29-125-150-45	125	150	45	85	30	30	127,86
SPS29-125-170-60	125	170	60	85	45	30	127,86
SPS29-150-150-45	150	150	45	110	30	30	127,86
SPS29-150-170-60	150	170	60	110	45	30	127,86
SPS29-200-150-45	200	150	45	160	30	30	127,86
SPS29-200-170-60	200	170	60	160	45	30	127,86