



■ Sürtünme Plakası / Sliding Pad

● **Not / Note**

Tüm köşelere pah kırılacaktır
Break all sharp edges

Toleranslar tüm ölçüler
EN 22768-1 standardında
All dimensions without tolerance
as per EN 22768-1

Sipariş Kodu / Order Code

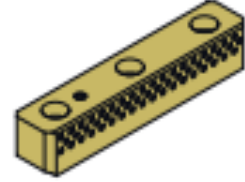
SPB66 - W - L - S

● **Malzeme / Material**

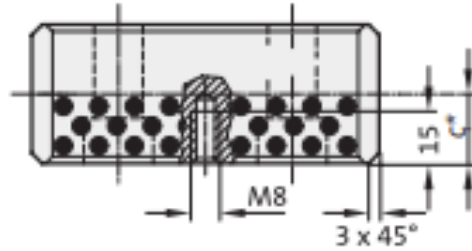
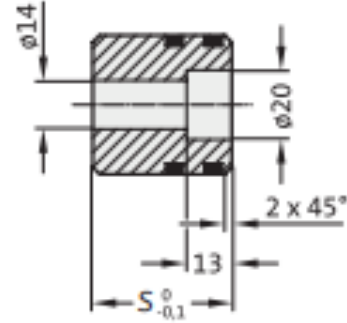
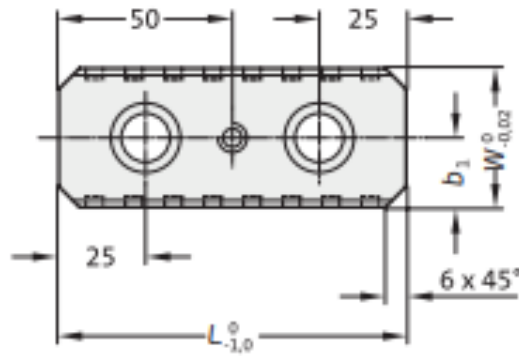
SAE430B + Graphite

● **Referans Kod /**

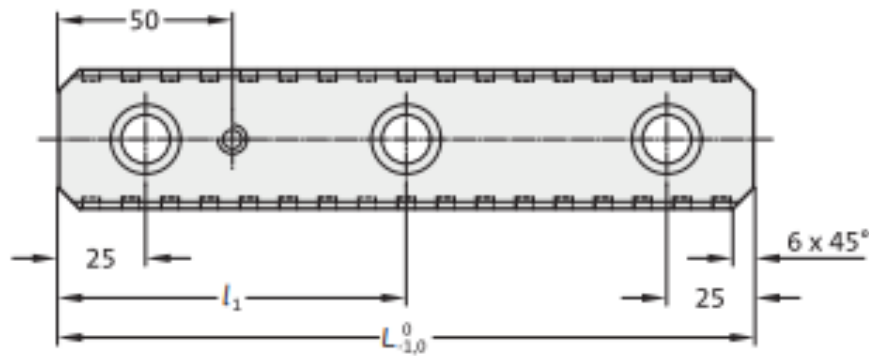
Reference Code



A



B



Sipariş Kodu / Order Code	Form	W	L	S	b ₁	l ₁	c*	Civata/ Screws
SPB66-30-100-30	A	30	100	30	15	-	18	2
SPB66-30-150-30	A	30	150	30	15	-	18	2
SPB66-30-200-30	B	30	200	30	15	100	18	3
SPB66-30-250-30	B	30	250	30	15	125	18	3
SPB66-30-300-30	B	30	300	30	15	150	18	3
SPB66-30-350-30	B	30	350	30	15	175	18	3
SPB66-40-100-30	A	40	100	30	20	-	18	2
SPB66-40-150-30	A	40	150	30	20	-	18	2
SPB66-40-200-30	B	40	200	30	20	100	18	3
SPB66-40-250-30	B	40	250	30	20	125	18	3
SPB66-40-300-30	B	40	300	30	20	150	18	3
SPB66-40-350-30	B	40	350	30	20	175	18	3
SPB66-40-100-40	A	40	100	40	20	-	20	2
SPB66-40-150-40	A	40	150	40	20	-	20	2
SPB66-40-200-40	B	40	200	40	20	100	20	3
SPB66-40-250-40	B	40	250	40	20	125	20	3
SPB66-40-300-40	B	40	300	40	20	150	20	3
SPB66-40-350-40	B	40	350	40	20	175	20	3