

**Sürtünme Plakası / Sliding Pad****Not / Note**

Tüm ölçülere *paş* kınılılardır.
Bütün all sharp edges



Toleranslar tüm ölçüler
DIN 22768-1 standardında
All dimensions without tolerance
as per DIN 22768-1



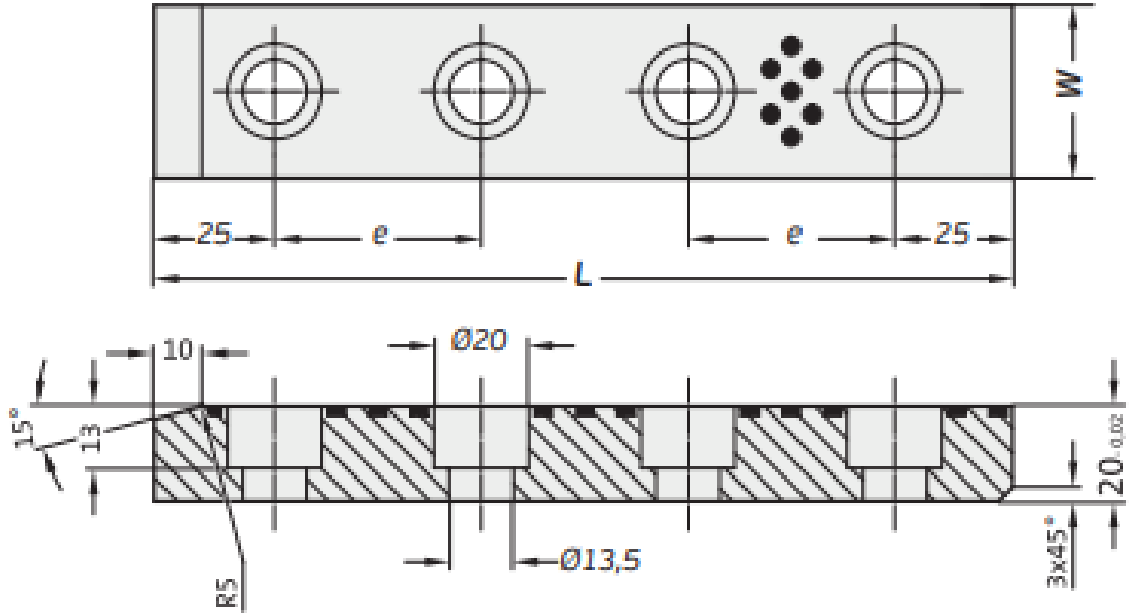
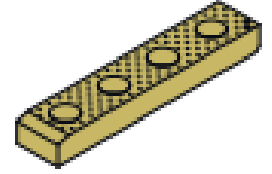
Sipariş Kodu / Order Code
SPB27 - W - L

Malzeme / Material

SAE430B + Graphite

**Referans Kod /
Reference Code**

VDI 3357



Sipariş Kodu / Order Code **SPB27 - W - L**

<i>Sipariş Kodu / Order Code</i>	<i>W</i>	<i>L</i>	<i>e</i>
SPB27-50-250	50	250	60
SPB27-50-300	50	300	80
SPB27-50-350	50	350	100
SPB27-50-400	50	400	120
SPB27-50-450	50	450	140
SPB27-50-500	50	500	150
SPB27-80-250	80	250	60
SPB27-80-300	80	300	80
SPB27-80-350	80	350	100
SPB27-80-400	80	400	120
SPB27-80-450	80	450	140
SPB27-80-500	80	500	150
SPB27-100-250	100	250	60
SPB27-100-300	100	300	80
SPB27-100-350	100	350	100
SPB27-100-400	100	400	120
SPB27-100-450	100	450	140
SPB27-100-500	100	500	150
SPB27-125-250	125	250	60
SPB27-125-300	125	300	80
SPB27-125-350	125	350	100
SPB27-125-400	125	400	120
SPB27-125-450	125	450	140
SPB27-125-500	125	500	150
SPB27-160-250	160	250	60
SPB27-160-300	160	300	80
SPB27-160-350	160	350	100
SPB27-160-400	160	400	120
SPB27-160-450	160	450	140
SPB27-160-500	160	500	150