



Dayama Ünitesi / Gage

Not / Note

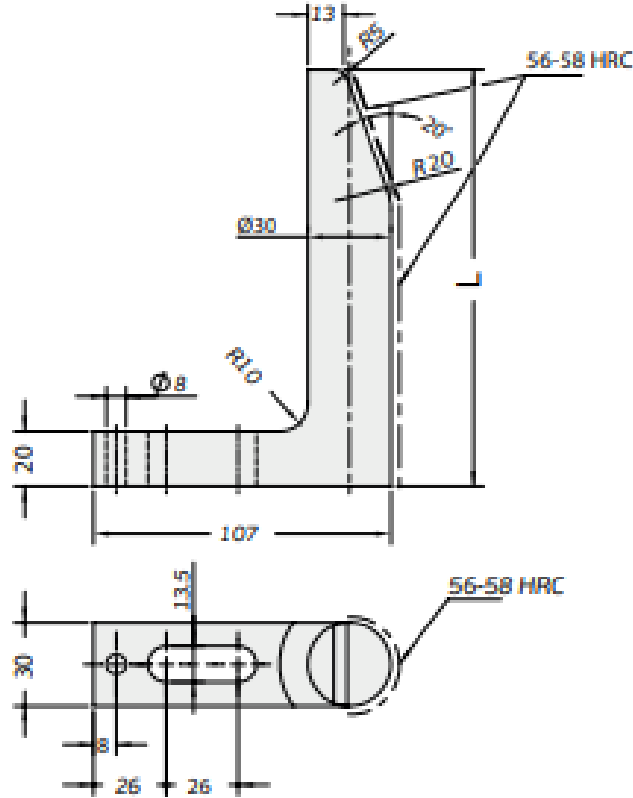
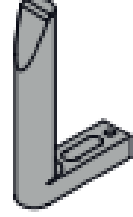
Tüm köşelere yontulacaktır
Break all sharp edges
Toleranslar tüm ölçüler
EN 22768-1 standardlarına
All dimensions without tolerance
as per EN 22768-1

Sipariş Kodu / Order Code
DY02 - L

Malzeme / Material
CK60 58-60 HRC

Referans Kod /
Reference Code

BMW
FORD
VW/AUDI



Sipariş No / Order No	L	Sipariş No / Order No	L	Sipariş No / Order No	L	Sipariş No / Order No	L
DY02-65	65	DY02-115	115	DY02-165	165	DY02-215	215
DY02-70	70	DY02-120	120	DY02-170	170	DY02-220	220
DY02-75	75	DY02-125	125	DY02-175	175	DY02-225	225
DY02-80	80	DY02-130	130	DY02-180	180	DY02-230	230
DY02-85	85	DY02-135	135	DY02-185	185	DY02-235	235
DY02-90	90	DY02-140	140	DY02-190	190	DY02-240	240
DY02-95	95	DY02-145	145	DY02-195	195	DY02-245	245
DY02-100	100	DY02-150	150	DY02-200	200	DY02-250	250
DY02-105	105	DY02-155	155	DY02-205	205		
DY02-110	110	DY02-160	160	DY02-210	210		