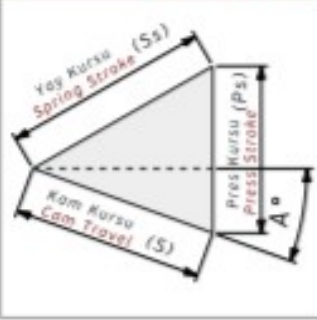


AKHV-110 Bilgilendirme / Information

- Çalışma Kuvveti / Working Force : (300.000 Baskı/Stroke) 360 kN (38 tonf)
- Sürücü Geniřliđi / Slider Width : 110 mm
- Çalışma Açısı / Work Angle : 0° - 75°
- Sipariř Örneđi / Order Example : AKHV-110-40

Kam Diyagramı / Cam Diagram

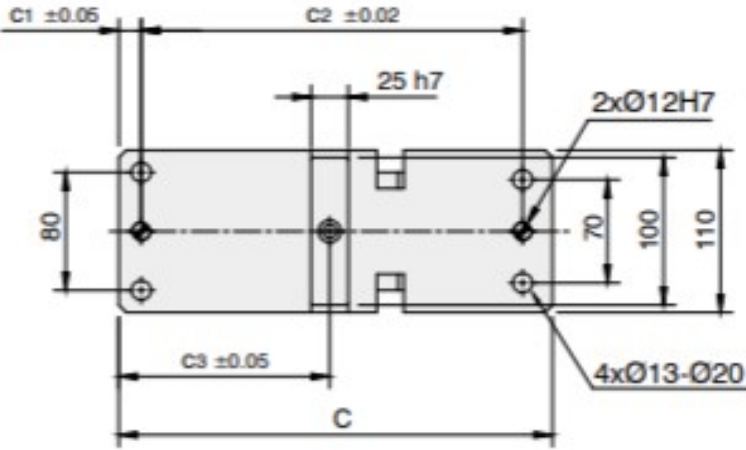


Sipariř Örneđi / Order Example

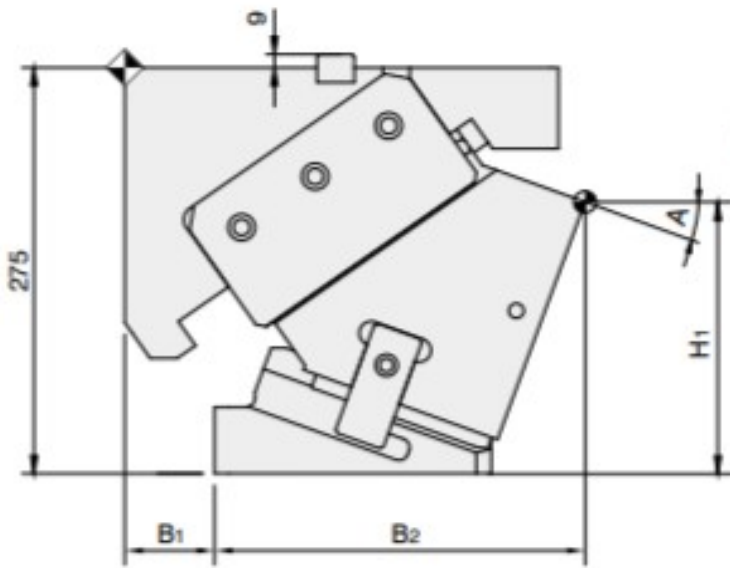
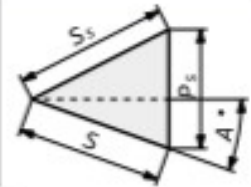
| Kam Kodu Cam Code | Sürücü Geniřliđi Slider Width (mm) | Çalışma Açısı Work Angle (°) | Opsiyon Kodu / Option Code | | | |
|----------------------|--|------------------------------------|----------------------------|-----|-----|-----|
| | (G) | (A) | --- | --- | --- | --- |
| AKHV | 110 | 10 | | | | |

AKHV-110 Teknik Bilgiler / Technical Informations

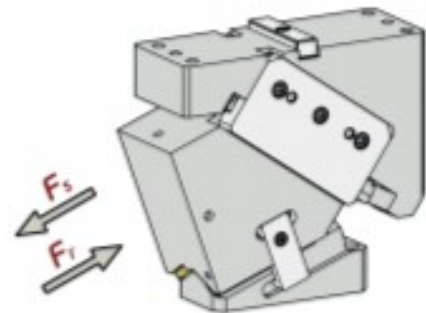
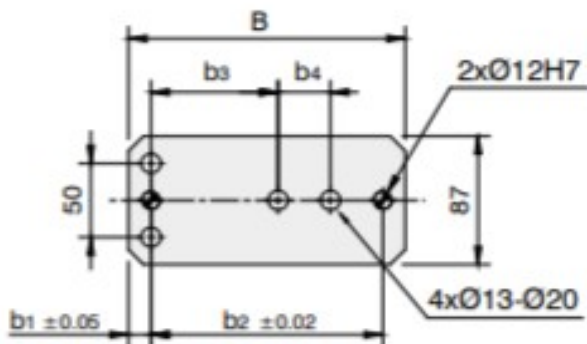
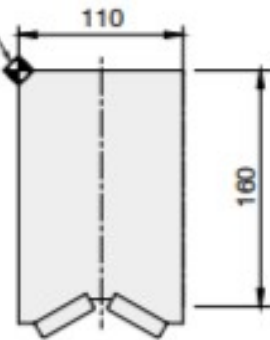
| Çalışma Yüzeyi/Mounting Surface | | Çalışma Açısı Work Angle (°) | Kam Kuruřu/Cam Travel Stroke (mm) | Çalışma Kuvveti Working Force | Yay Kuvveti Spring Force | Gazlı Yay Kuvveti Gas Spring Force |
|---------------------------------|------|---------------------------------|--------------------------------------|--|-----------------------------|---------------------------------------|
| (G) | (Gh) | (A) | (S) | | | |
| 110 | 160 | 00 | 30,9 | 300.000 Baskı/Stroke 360,0 kN (38,0 tonf) | | 11760 N (1200 kgf) |
| 110 | 160 | 05 | 34,1 | | | 11760 N (1200 kgf) |
| 110 | 160 | 10 | 34,5 | | | 13132 N (1340 kgf) |
| 110 | 160 | 15 | 38,1 | | | 13132 N (1340 kgf) |
| 110 | 160 | 20 | 41,8 | | | 13132 N (1340 kgf) |
| 110 | 160 | 25 | 43,4 | | | 13720 N (1400 kgf) |
| 110 | 160 | 30 | 48,0 | | | 13720 N (1400 kgf) |
| 110 | 160 | 35 | 50,7 | | | 14896 N (1520 kgf) |
| 110 | 160 | 40 | 56,8 | | | 14896 N (1520 kgf) |
| 110 | 160 | 45 | 61,5 | | | 15484 N (1580 kgf) |
| 110 | 160 | 50 | 48,2 | | | 15484 N (1580 kgf) |
| 110 | 160 | 55 | 54,1 | | | 15484 N (1580 kgf) |
| 110 | 160 | 60 | 63,8 | | | 16268 N (1660 kgf) |
| 110 | 160 | 65 | 75,4 | | | 16513 N (1685 kgf) |
| 110 | 160 | 70 | 95,0 | | | 16660 N (1700 kgf) |
| 110 | 160 | 75 | 95,1 | | | 16660 N (1700 kgf) |



Kam Diyagramı / Cam Diagram




XY=0
Sırtıcı İşleme
Sliter Milling



| Kam Kodu Cam Kode | Açı Angle (A) | Ölçüler / Dimensions (mm) | | | | | | |
|----------------------|---------------------|---------------------------|----------------|----------------|----------------|-----|----------------|----------------|
| | | S | P _s | S _s | H ₁ | B | B ₁ | B ₂ |
| AKHV-110 | 00 | 30,9 | 36,8 | 48 | 205,0 | 210 | 60 | 218,0 |
| AKHV-110 | 05 | 34,1 | 36,9 | 48 | 200,7 | 205 | 60 | 225,5 |
| AKHV-110 | 10 | 34,5 | 39,9 | 48 | 195,8 | 195 | 60 | 232,9 |
| AKHV-110 | 15 | 38,1 | 40,7 | 48 | 190,2 | 190 | 60 | 240,4 |
| AKHV-110 | 20 | 41,8 | 41,8 | 48 | 184,0 | 185 | 60 | 247,8 |
| AKHV-110 | 25 | 43,4 | 45,9 | 48 | 177,1 | 178 | 50 | 255,1 |
| AKHV-110 | 30 | 48,0 | 48,0 | 48 | 165,3 | 172 | 50 | 259,6 |
| AKHV-110 | 35 | 50,7 | 53,1 | 48 | 157,4 | 167 | 50 | 266,1 |
| AKHV-110 | 40 | 56,8 | 56,8 | 48 | 149,0 | 163 | 50 | 272,2 |
| AKHV-110 | 45 | 61,5 | 63,8 | 48 | 1432,6 | 183 | 10 | 301,6 |
| AKHV-110 | 50 | 48,2 | 48,2 | 33 | 127,4 | 172 | 10 | 299,7 |
| AKHV-110 | 55 | 54,1 | 55,6 | 33 | 109,2 | 157 | 10 | 292,3 |
| AKHV-110 | 60 | 63,8 | 63,8 | 33 | 100,4 | 155 | 10 | 296,0 |
| AKHV-110 | 65 | 75,4 | 76,9 | 33 | 79,9 | 137 | 0 | 275,7 |
| AKHV-110 | 70 | 95,0 | 95,0 | 33 | 66,7 | 135 | 0 | 278,2 |
| AKHV-110 | 75 | 95,1 | 96,2 | 25 | 63,2 | 134 | 0 | 280,4 |

| Kam Kodu Cam Kode | Açı Angle (A) | Ölçüler / Dimensions (mm) | | | | | | | |
|----------------------|---------------------|---------------------------|-----|----|----|-----|----|-----|-------|
| | | b1 | b2 | b3 | b4 | C | c1 | c2 | c3 |
| AKHV-110 | 00 | 15 | 155 | 85 | 35 | 290 | 15 | 255 | 97,5 |
| AKHV-110 | 05 | 15 | 155 | 85 | 35 | 290 | 15 | 255 | 117,0 |
| AKHV-110 | 10 | 15 | 155 | 85 | 35 | 290 | 15 | 255 | 124,5 |
| AKHV-110 | 15 | 15 | 155 | 85 | 35 | 290 | 15 | 255 | 133,5 |
| AKHV-110 | 20 | 15 | 155 | 85 | 35 | 290 | 15 | 255 | 141,0 |
| AKHV-110 | 25 | 15 | 135 | 40 | 45 | 300 | 20 | 260 | 140,0 |
| AKHV-110 | 30 | 15 | 135 | 40 | 45 | 300 | 20 | 260 | 147,5 |
| AKHV-110 | 35 | 15 | 135 | 40 | 45 | 300 | 20 | 260 | 155,0 |
| AKHV-110 | 40 | 15 | 135 | 40 | 45 | 300 | 20 | 260 | 162,5 |
| AKHV-110 | 45 | 20 | 120 | 55 | 45 | 295 | 15 | 265 | 148,5 |
| AKHV-110 | 50 | 20 | 120 | 55 | 45 | 295 | 15 | 265 | 154,5 |
| AKHV-110 | 55 | 20 | 120 | 55 | 45 | 295 | 15 | 265 | 175,5 |
| AKHV-110 | 60 | 20 | 120 | 55 | 45 | 295 | 15 | 265 | 175,5 |
| AKHV-110 | 65 | 20 | 100 | 55 | 25 | 295 | 15 | 265 | 155,5 |
| AKHV-110 | 70 | 20 | 100 | 55 | 25 | 295 | 15 | 265 | 155,5 |
| AKHV-110 | 75 | 20 | 100 | 55 | 25 | 310 | 15 | 275 | 155,5 |

| | | | |
|---|-------------------|------------|------------|
|  | Kod / Code | (G) | (A) |
| | AKHV | 110 | 65 |